

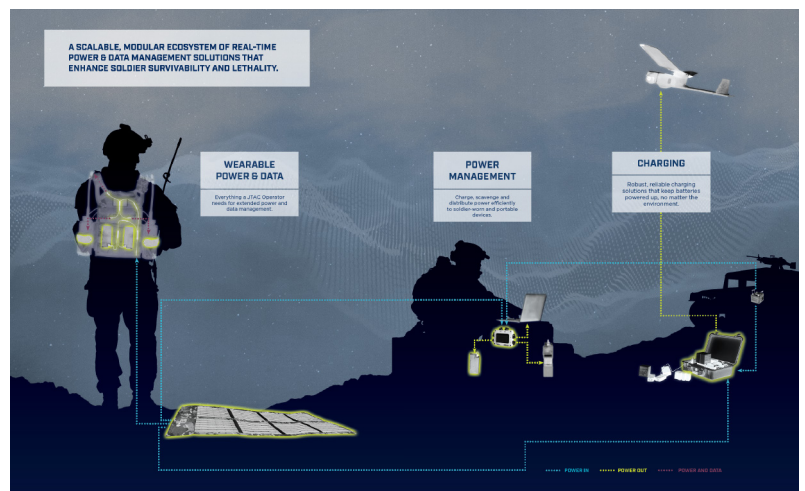


# POWER MANAGEMENT

The modern soldier is a totally wired mobile network. Operations today depend on more charged equipment than ever before, and the complexity of sustaining soldiers on the battlefield expands and shifts with every new technology. Energy efficiency and mobility are essential, and understanding the Soldier as an Integrated System will provide critical in-field advantages.

## EVER-EVOLVING, DYNAMIC SOLDIER SYSTEMS YOU CAN TRUST

Whether the mission requires an energy-dense, smart li-ion rechargeable battery, the ability to scavenge and manage power at the individual or squad level, bulk charging capabilities, data management or any combination thereof, Galvion is a one-stop-shop solutions provider. Our Nerv Centr® active systems provide intelligent and scalable power and data solutions that enhance soldier agility and lethality.



# Wearable Power and Data

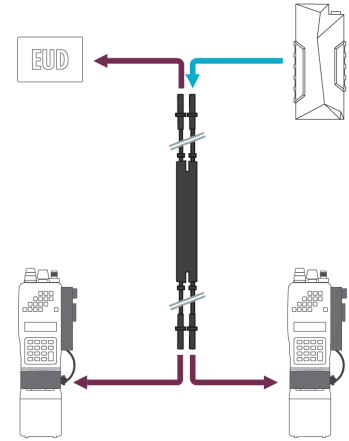
A modular, interconnected ecosystem of ultra-compact components that allow the operator to build a wearable solution that is right for the mission. Whether powering radios, transmitting data or both, Nerv Centr® power and data systems respond to the ever growing technology needs of the agile warfighter.



## Power & Data Hub 2-Port (PDH-2)

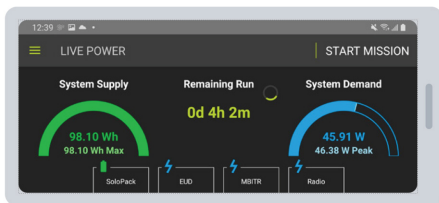
The PDH-2 is a scalable, lightweight power and data hub that fits easily into MOLLE loop and connects to soldier-worn equipment, including hand-held radios, ATAK device and power source. The NettWarrior compatible PDH-2 integrates seamlessly into the soldierworn architecture, and eliminates the need for individual device batteries by providing power management through a singular port, allowing operators to scale their power and data system to mission needs. The Basic PDH-2 configuration connects 1-2 hand-held radios through RDA, with RPA providing the ability to trickle charge radio batteries. Solopack provides 98Wh of power to keep system running.

The PDH-2 comes with our proprietary Hub Application, ensuring battlefield awareness and maximum control over power management.



## Hub Application

Substantiated, accurate mission power monitoring and analysis in order to plan effectively and minimize logistical burden – bring only the power you need to complete future missions.



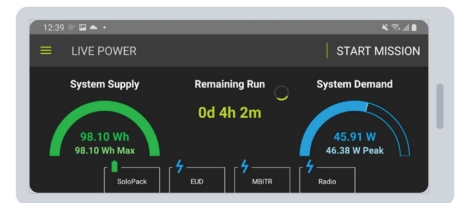
**LIVE POWER**

Displays real-time power supply, demand and low power alert



**ANALYZE POWER**

More detailed understanding of power usage and comparison across users



**POWER MODEL**

Analyzes historical and modelled power usage in order to predict future mission needs

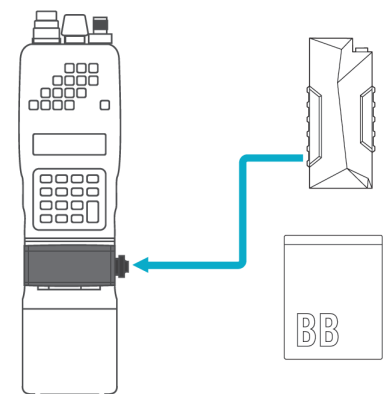


## Radio Power Adapter (RPA)

Compatible with the most common hand-held radios in use today, the RPA provides the freedom to connect, charge and maintain critical communication with less burden. Trickle charge radio battery by connecting to power source. Eliminate the radio battery entirely and keep radio powered directly from centralized power source.

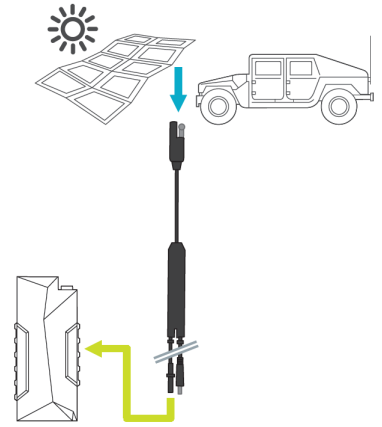
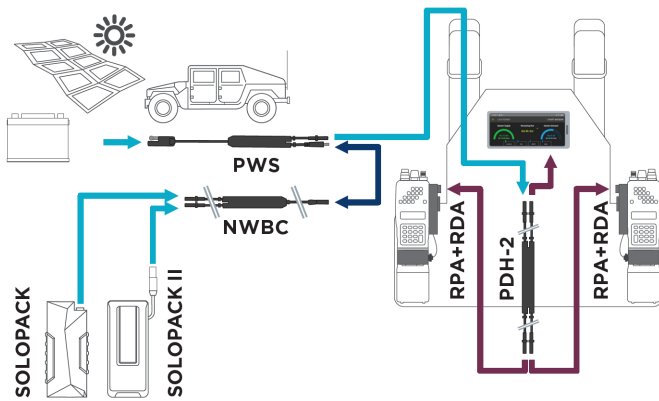
## Radio Data Adapter (RDA)

The RDA connects the radio data port with the PDH-2 and is used in conjunction with the RPA.



## Personal Worn Scavenger (PWS)

Our smallest power scavenger. This compact plug-and-play component can scavenge power from solar, vehicle, AC or NettWarrior batteries to support a soldier-worn battery like our SoloPack or connect into our PDH-2 for power and data sustainment for the duration of the mission.



## SoloPack

The SoloPack goes beyond standard battery technology. Rugged, lightweight and power dense, it fits in a magazine pouch and with 98 Wh of energy, it packs enough power in one charge for a 12-hour mission. Unlike other rechargeable military batteries, the state-of-charge display indicates real-time remaining capacity at the press of a button. This Nett Warrior compatible battery is NAVSEA certified and rated safe-to-fly.

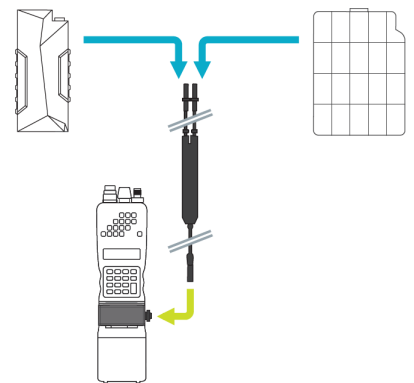


## SoloPack II

The SoloPack II Battery delivers an extended power alternative to our widely adopted and used SoloPack™ battery. With 140 Wh of power and a flexible flying lead, the SoloPack II offers 40% more power while maintaining all of the industry-leading features of the original SoloPack. Small, lightweight and energy-dense, this next generation model is designed to support operational power needs and for short duration missions of up to 24 hours.

## NettWarrior Battery Combiner (NWBC)

This smart, battery-agnostic cable instantly doubles the functionality of a single connection. Double run-time for devices or hot swap a depleted battery without ever having to disconnect from the system. The NWBC integrates seamlessly with batteries and electronic equipment and can be used directly with periphery devices or in conjunction with the PDH-2 or power managers to extend run-time to ensure constant connectivity.



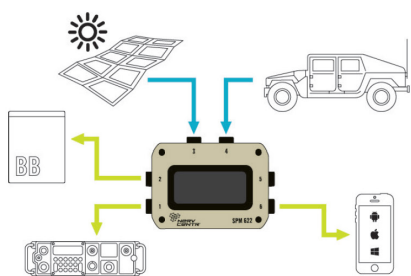
# Power Managers

By connecting mission-critical devices to the power manager, the squad can effectively run equipment off of alternative energy sources while simultaneously charging any secondary batteries to maintain back-up power when needed. Power all your gear, all the time, anywhere in the world.

## Squad Power Manager (SPM)

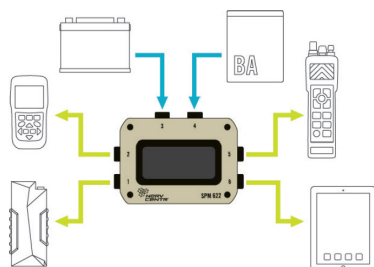
The SPM automatically converts voltage to ensure that the correct amount of power goes to each connected device and displays the state-of-charge of batteries, and the power draw of the system, in order to safely and reliably sustain power.

By eliminating the need for and weight of cumbersome generators, power bars, and extra batteries, the SPM can run everything a small team needs, with no noise and a minimal power footprint. Data logs track how much power is captured and distributed, allowing valuable after mission review and efficient follow-on operational planning.



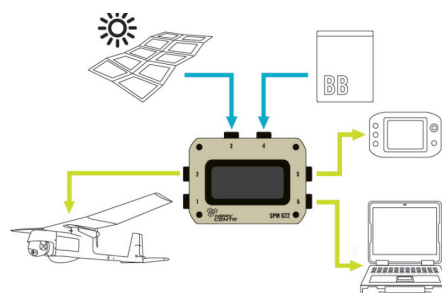
### UNINTERRUPTIBLE POWER SUPPLY

When solar power is lost, equipment is powered by vehicle battery in order to keep mission critical systems up and running.



### SCAVENGE FROM DISPOSABLE BATTERIES

Leave no power unused – drain disposable batteries to power equipment and recharge batteries.



### AUSTERE POWER MANAGEMENT

Maintain constant intelligence, surveillance and reconnaissance capability in even the most undeveloped environments.

# Bulk Charging

If Power Managers are the brain – this is the brawn. Robust, reliable charging solutions to keep missions running and operators powered up.

## Mission Adaptive Charging Station (MAX-8)

The MAX-8 is a portable charging solution that reduces operational battery burden, allowing teams to do more with less. This powerful charger packs 1000W of power output and 8A USB output. With the ability to draw power from multiple sources like AC, solar, or vehicle, the MAX-8 can charge multiple battery types simultaneously, in less than three hours. Whether military batteries (BB2590s), CWBs, sUAS, commercial power tools, or Nett Warrior battery types, this intelligent system evaluates the power source and adjusts charge rates to maximize power and minimize charge times, with no special programming or configuration required.

In an area with no AC power source and low solar conditions, the MAX-8 can scavenge power from a military or commercial vehicle battery to charge mission critical batteries. NORMAL mode prevents vehicle battery drainage. SCAVENGE mode allows MAX-8 to drain vehicle battery completely, ideal for disabled vehicles in an austere operational environment on the battlefield.



**Communications Equipment**



**Medical Equipment**



**Commercial Power Tools**



**GPS & Targeting Systems**



**Unmanned Systems**



**Computers & Smart Phones**



**EOD Equipment**